

TAKE YOURSELF FURTHER



The Mountain Trike Company

The Mountain Trike Company began trading in 2011 after five years of design and development of their unique all terrain manual wheelchair – The Mountain Trike. The Mountain Trike was designed by an exciting, award winning young British inventor, Tim Morgan.

The ethos of the company is built on a foundation of allowing manual wheelchair users to take themselves further offering them more independence to enjoy the great outdoors, whether that's town, country or seaside. The Mountain Trike Company is always trying to improve and optimise the design, helping the user make the most of their day.



The Trike

The Mountain Trike is a masterful blend of unique innovation lever drive system and high specification mountain bike technology, which provides wheelchair users with far greater freedom and independence than ever before to travel off the beaten track. It enables users to safely access areas of countryside or urban terrain previously difficult, uncomfortable or simply impossible in a standard wheelchair.

No other manual wheelchair on the market provides comparable high levels of manoeuvrability and uneven surface performance, practicality and comfort.

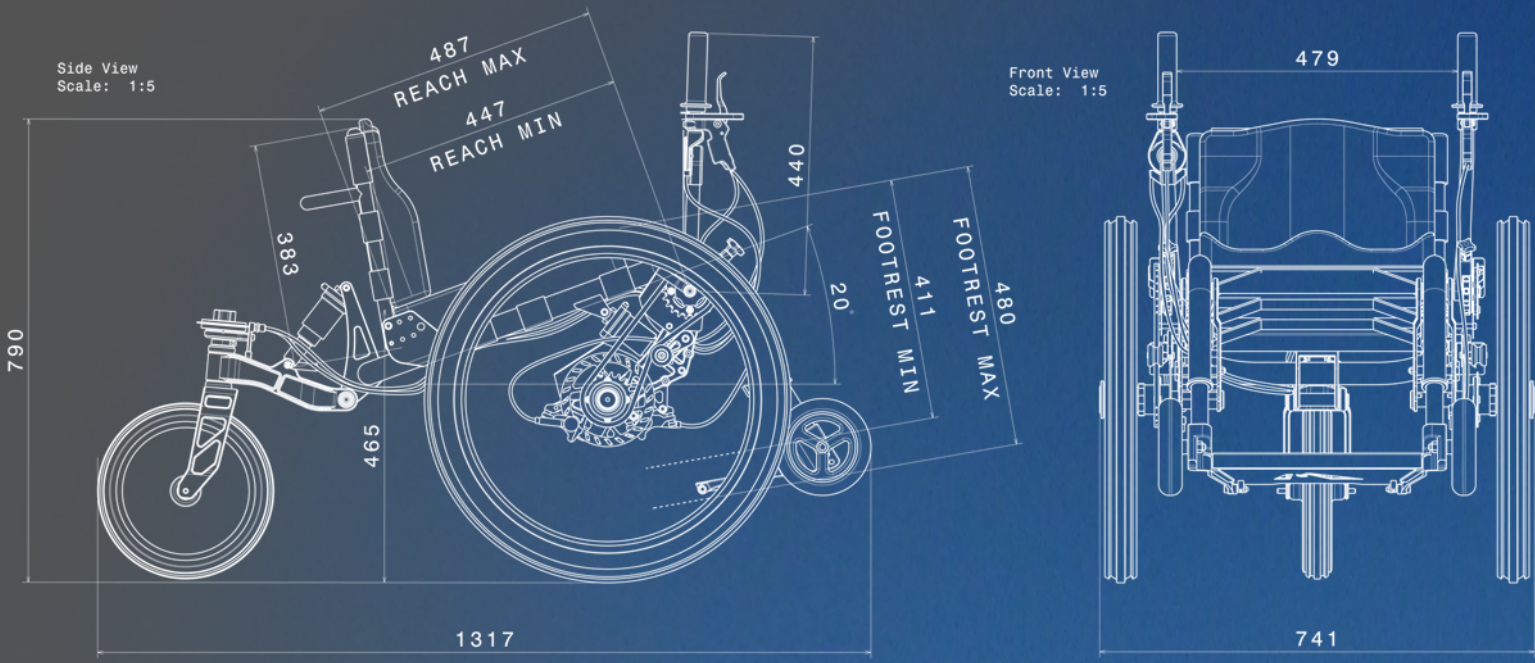
Features include:

- 'Clean hands' Lever Drive
- Hydraulic Disc Brakes
- Direct Steering Control
- Mountain Bike Wheels
- Contoured Adjustable Seat
- Full Air Suspension
- Rear Wheel Steering
- Rugged lightweight chassis
- Anti tip wheels
- Foldable for transport

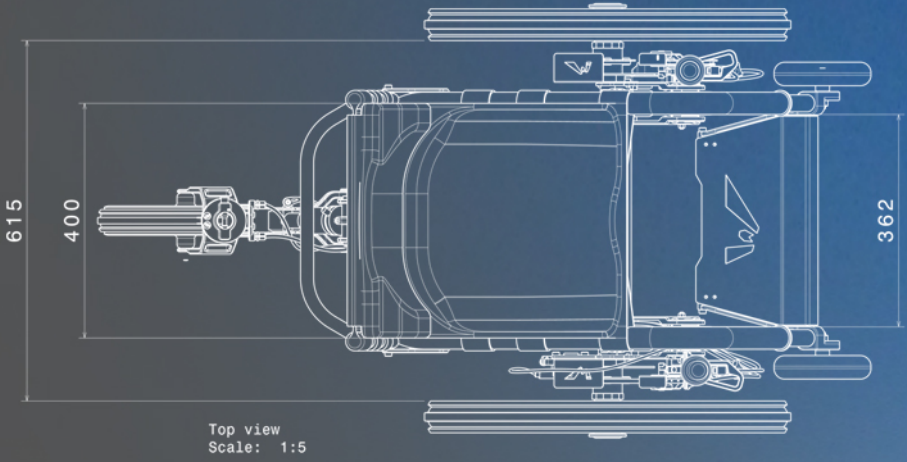
The Mountain Trike is easy to maintain and comes with a 3 year warranty.

Learning to ride the Trike is simple but can take a little practice. Follow the user manual and our online hints and





(All dimensions are in mm)



- Total Weight of Trike** 20 kg
- Designed Max Weight of Rider** 100 kg
- Mountain Bike Wheel Size** 24 inch
- Seat Cushion Width** 400 mm
- Seat Height from Ground** 465 mm
- Seat Back Height** 383 mm
- Seat Angle** 20 degrees
- Seat Cushion** Removable Foam Cushion
- Max and Min Footrest Height** 411 - 480 mm
- Max and Min Seat Length** 447 - 487 mm
- Seat Lap Belt** Optional Extra (No Charge)
- Footstraps** Optional Extra (No Charge)



Drive System
All Weather Hydraulic Discs

Mountain Trike Company Ltd, Westfield, Wyburnury Road, Wainherton, Nantwich, Cheshire, CW5 2NG
 Reg: 06583499 web: www.mountaintrike.co.uk email: info@mountaintrike.co.uk tel: +44 (0) 1270 842 616

Mountain Trike Discs for Overall Trike Performance and Clean Hands
Included as Standard

Love the Outdoors

The Active Chair for Active People

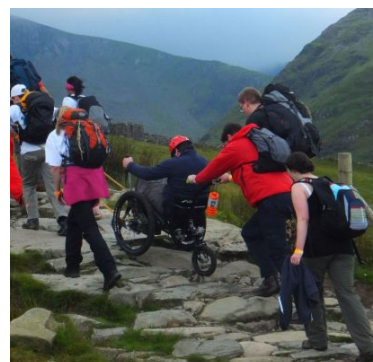
Family

Whether it's just a trip to the shops, a ride in the woods or a beach holiday the Mountain Trike is so versatile and easy to manoeuvre it will enhance you and your family and friend's life experience.



Adventure

If you want to go that little bit further Mountain Trike can take you there. Using proven mountain bike technology, the Trike can tackle challenging terrain from snow and ice to deep mud and sand.



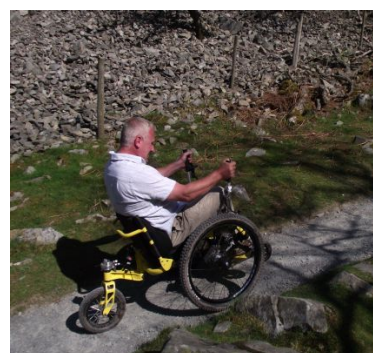
Military

The British Army have been involved throughout the intensive development of Mountain Trike. The Military have put it through its paces at Headley Court Rehabilitation Centre where their new fleet of Trikes is used to aid rehabilitation of our injured Soldiers.



Health & Fitness

The Mountain Trike fits perfectly with an active, healthy lifestyle. The unique lever drive takes the strain off joints and provides a great upper body workout in comfort. Plus its so much fun to ride you'll be clocking up the miles in no time!



Our Goal

The Mountain Trike Company is dedicated to the design, engineering and sale of the world's most capable All Terrain wheelchairs.

We love the outdoors and are passionate about spreading that enjoyment to people of all abilities. The Mountain Trike is focussed on enabling people to explore new paths, find new horizons, visit new places, cruise easy routes, summit tough routes, whilst enhancing fitness and quality of life.



Customer Testimonials

Don't just take our word for it.

Headley Court

"Its great to see something that doesn't disappoint! It's exciting, all the guys here love it"



Rick Rodgers

"The Trike's just so cool! It doesn't look like a wheelchair, and is just so much fun to ride"



Richard Brooks

'I ride my Mountain Trike most days and feel fitter and stronger all the time. I feel empowered riding over rough terrain'



Lucie Matthews

'I'm delighted I took the plunge! It has given me a lovely opportunity to get out and about.'



Hire or Try before you Buy

Hire options

As an alternative to buying your own Trike you can hire the Trike on a short-term hire scheme. With our courier service we can send a Trike anywhere in the UK at a great price. It is ideal for special occasions such as holidays, music festivals, shows or just as a weekend treat.

Demonstrations

During the year we schedule a series of demos throughout the UK and exhibit at a number of events where we are happy to meet customers to try out the Trike. At these events people can see if it is suitable and understand what their special requirements may be. Every Mountain Trike is bespoke to a customer, including steering and braking options and a choice of any colour. Alternatively we are happy to arrange personal demos at our head office or at an appropriate location.

Experience Centres

We are working hard building relations with mountain bike centres throughout the UK and internationally who are prepared to partner with us as an approved Experience Centre where customers can demo, hire or even arrange to purchase a Mountain Trike. We have secured two such centres- Pedal a Bike Away in the Forest of Dean and Progression Bikes in Dunkeld Scotland and aim to appoint more in the future.

How to Buy

Our website, www.mountaintrike.com, offers the function to buy direct from the Mountain Trike Company and the aim is to make the shopping experience as simple as possible. All the details and information is outlined on the website, with a step by step guide to ensure customers are purchasing a chair that is right for their individual requirements – even down to their colour choice!

We have a number of international dealers operating worldwide and a contact list can be found on our website, each approved dealer is there to assist each customer with the buying process.

We pride ourselves on our:

- Personal Service
- Global Reach
- One easy price £4,395* (*exchange rate and additional international shipping calculated at time of placing order)
- Customer Care
- After Care

Future Developments

We are passionate about extending the Mountain Trike range to enable even more people to benefit from its all terrain performance.

For example we are working on adaptations to the brakes to suit people with limited finger control. We also have exciting plans in the pipeline for quick release wheels, a geared version and a wide range of accessories to add to the Mountain Trike family...



Mountain Trike Accessories

We are always looking at ways to enhance the Mountain Trike and the rider's experience and constantly looking to develop our range and discover suitable accessories. We happily take on board feedback and suggestions from our customers in order to design products suited to their wants and needs.

All these can be purchased via our online shop: www.mountaintrike.com

Additional accessories will be added to our shop as and when they are developed.



Key Contacts

Any Enquires: +44 (0) 1270 842616

Email: info@mountaintrike.co.uk

Tim Morgan – Managing Director

Email: tim@mountaintrike.co.uk

Phone: +44 (0) 7816 955945

Lucy Hill – Marketing Manager

Email: lucy@mountaintrike.co.uk

Phone: +44 (0) 7568 110006

Roger Crawford – Operations Manager

Email@ roger@mountaintrike.co.uk

Phone: +44 (0) 7519 809375

Jayne Fishwick – Media Relations Manager

Email: jayne@mountaintrike.co.uk

Phone: +44 (0) 7969 097152

Web: www.mountaintrike.com

Facebook: www.facebook.com/mountaintrike

Twitter: @mountaintrike

Youtube: www.youtube.com/user/mountaintrike

Vimeo: vimeo.com/mountaintrike

Awards Achieved to Date

Naidex, The UK's Largest Mobility Show

Innovation Award

DNEX Mobility Show in Newcastle

Innovation Award

Mobility Roadshow at Peterborough

'Best of Show' Award

Able Magazine

5 Star Product Reward

British Healthcare Trade Association

Innovation Award

Royal Academy of Engineering Silver Medal Award for outstanding contribution to British Engineering – Tim Morgan